

PowerTech™

6068AFM75 Diesel Engine

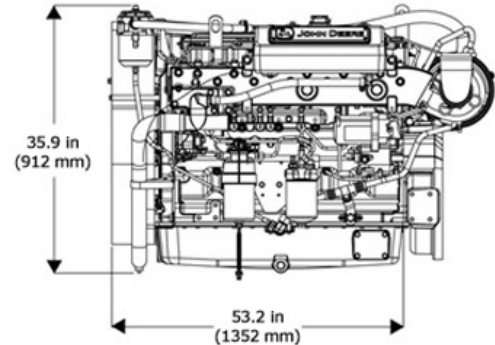
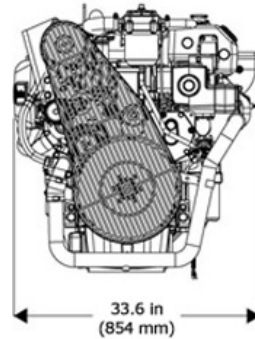
Propulsion Engine Specifications



Dimensions



6068AFM75 shown



Certifications

EPA Commercial Marine Tier 2
IMO MARPOL Annex VI Compliant
NRMM (97/68/EC)

General data

Model	6068AFM75	Length - mm (in)	1352 (53.2)
Number of cylinders	6	Width - mm (in)	854 (33.6)
Displacement - L (cu in)	6.8 (415)	Height, Centerline to Top-- mm. (in)	646 (25.4)
Bore and Stroke-- mm (in)	107 x 127 (4.21 x 5.00)	Height, Centerline to Bottom-- mm. (in)	266 (10.5)
Compression Ratio	16.7 : 1		
Engine Type	In-line, 4-Cycle		
Aspiration	Turbocharged and air-to-coolant aftercooled		

Features and benefits

Watercooled Turbocharger and Exhaust Manifold

- Cooler and quieter environment for vessel and crew
- Reduced external connection eliminates hoses and fittings that can leak or break

Replaceable Wet-type Cylinder Liners

- Hardened and precision machined for long life
- Rebuild to original specifications

Corrosion Resistant Components

- Provides engine protection from the effects of seawater

Either-side Service

- Oil fill and dipstick combinations
- Remote oil filter for easier service access
- Application and service flexibility to provide installation convenience plus fast and easy maintenance

Heat Exchanger

- High-capacity heat exchanger designed for reliable operation in adverse conditions
- Integrated expansion tank, heat exchanger and exhaust manifold reduce chances of leaks
- Seawater aftercooler for increased power and efficiency

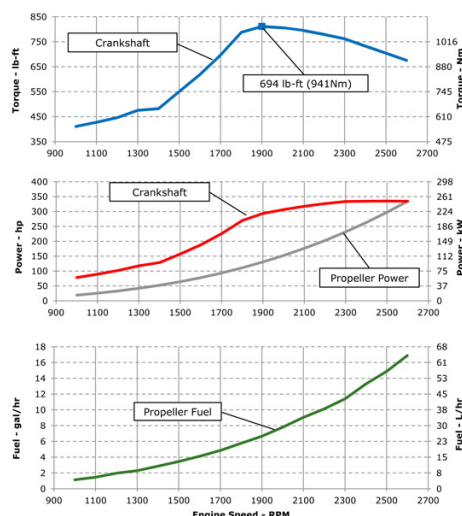
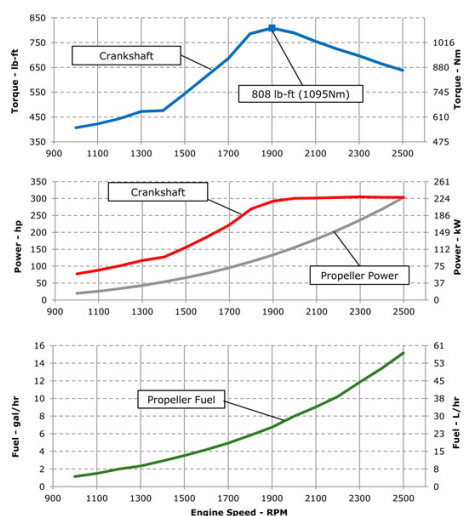
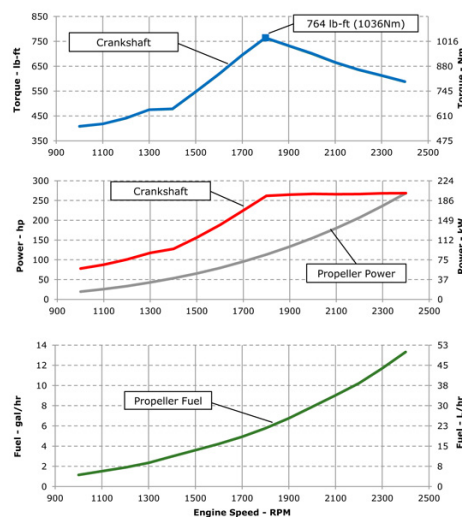
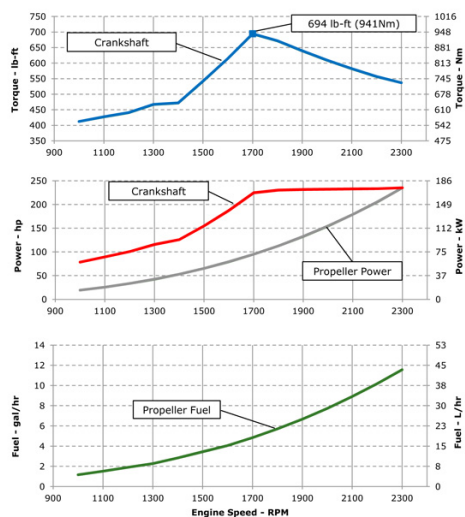
High Torque and Low Rated RPM

- Excellent vessel control and maneuvering
- Lower rated rpm limits vibration and noise

Fuel System

- Electronically controlled rotary fuel injection pump with variable timing resulting in excellent fuel economy and excellent performance
- Self diagnostics and protection
- Electronic instrument panel with plain text messaging

Performance curve



Performance data	M4	M3	M2	M1
Rated Power - kW (hp)	246 (330)	224 (300)	198 (266)	172 (231)
Rated Speed - rpm	2600	2500	2400	2300
Low Idle Speed - rpm	600	600	600	600
Peak Torque - Nm (ft-lb)	1099 (811)	1095 (808)	1036 (764)	941 (694)
Peak Torque Speed - rpm	1900	1900	1800	1701
Fuel Consumption - L/h (gal/hr)	63.9 (16.9)	57.4 (15.2)	50.4 (13.3)	43.6 (11.5)

M rating	M4	M3	M2	M1
Typical load factor	< =40%	< =50%	< =65%	> 65%
Typical annual usage (hr)	1,000-3,000 hr	2,000-4,000 hr	3,000-5,000 hr	Unrestricted
Typical full-power operation (hr)	1 of each 12 hr	4 of each 12 hr	16 of each 24 hr	Uninterrupted

John Deere Power Systems
3801 W. Ridgeway Ave.
PO Box 5100
Waterloo, IA 50704-5100
Phone: 1-800-533-6446
Fax: 319.292.5075

John Deere Power Systems
Usine de Saran
La Foulonnerie - B.P. 11.13
45401 Fleury les Aubrais Cedex
France
Phone: 33.2.38.82.61.19
Fax: 33.2.38.82.60.00

Preliminary Information
All values at rated speed and power with standard options unless otherwise noted.
Specifications and design subject to change without notice.