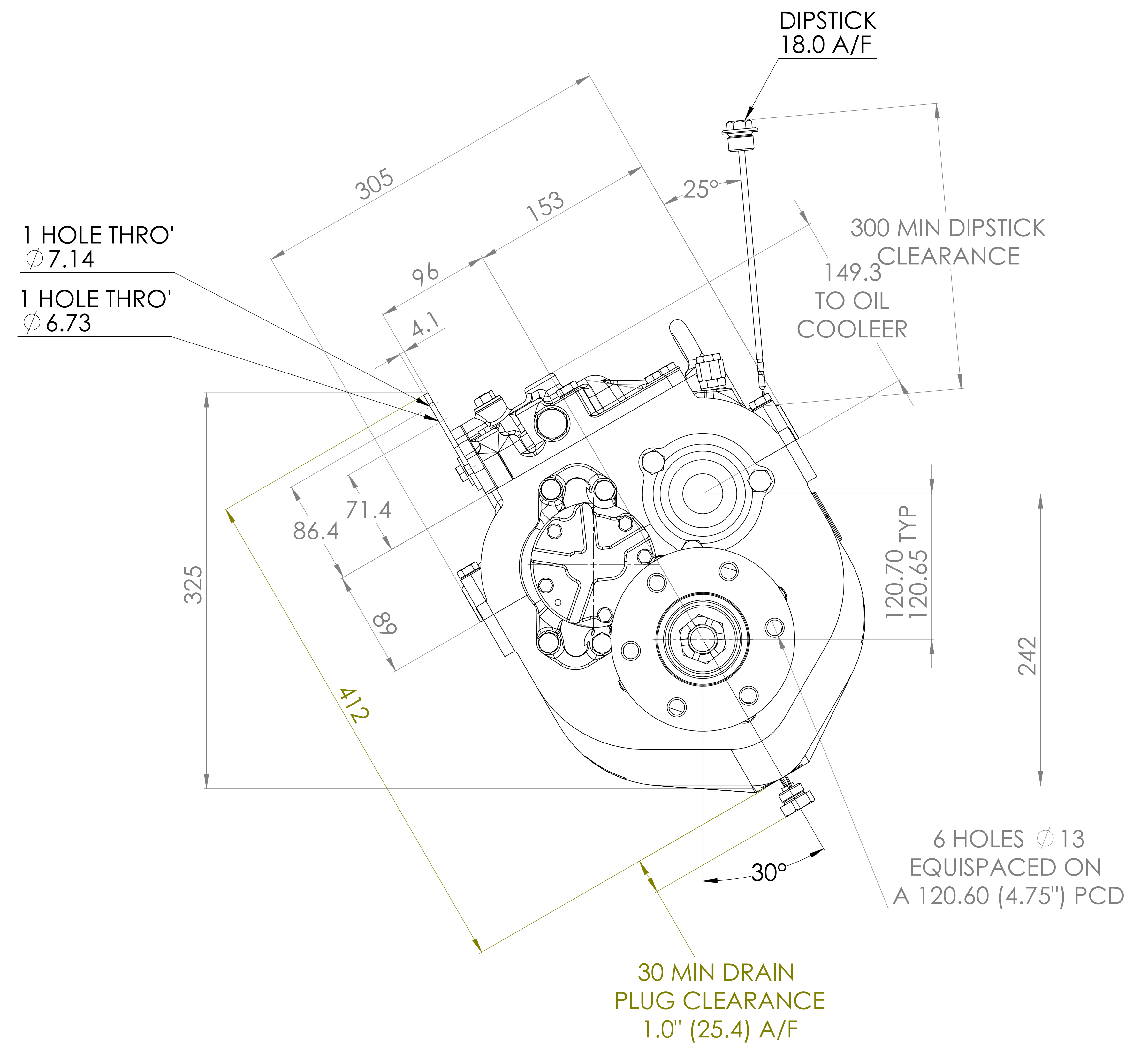
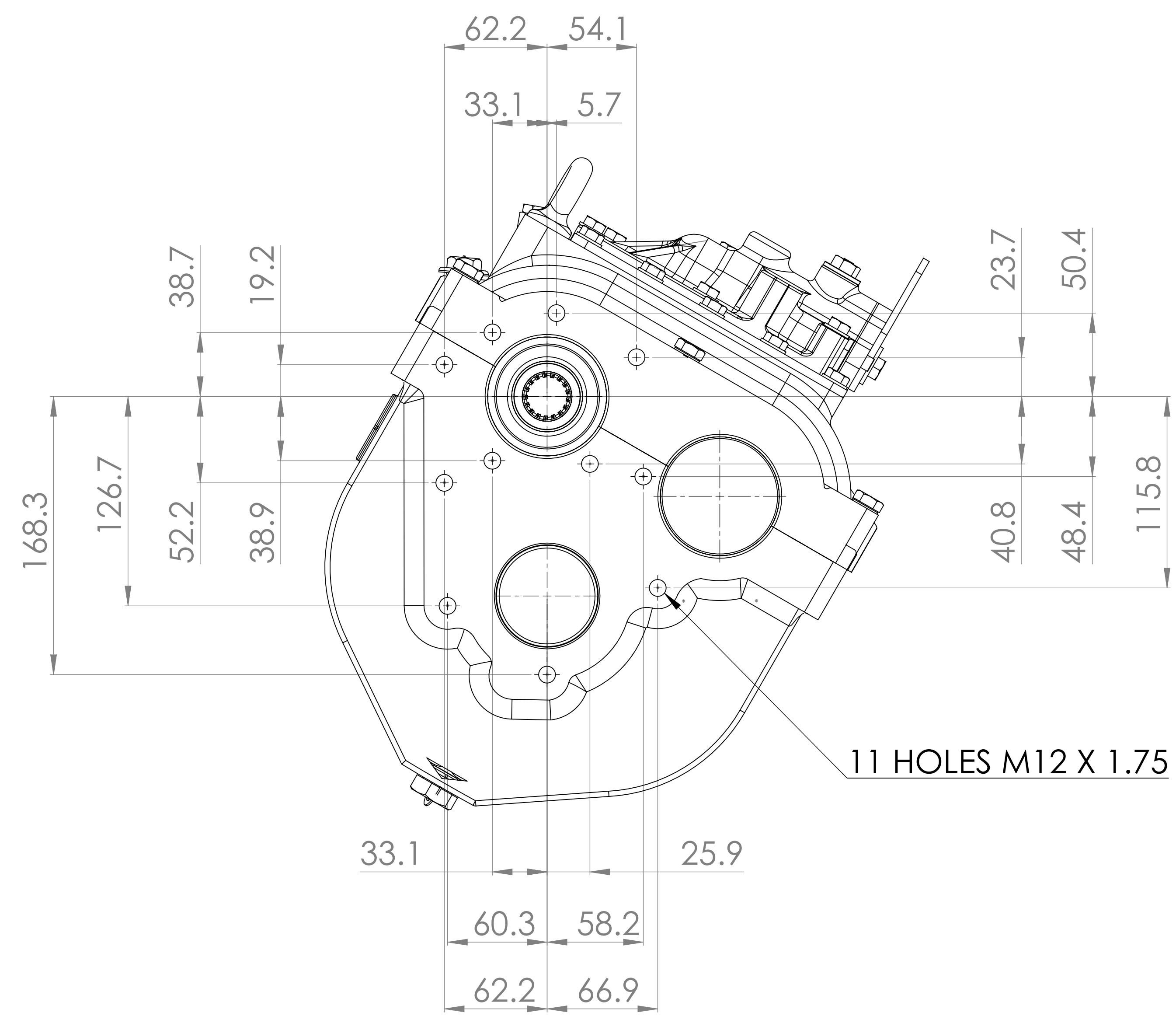


ADAPTOR PLATE (SEE TABLE)



ADAPTORS	LOCATION φ "A"	"B"
SAE2	447.67 (17.625")	16.00 (0.630")
SAE3	409.58(16.125")	15.75 (0.620")
SAE4	361.95 (14.250")	19.05 (0.750")
B/W	209.55 (8.250")	28.58 (1.250")